



QLML20010C2-158



■ Product Outline:

The QLML20010C2-158 is special light strip that designed for DC 24V input voltage. the light bar with high efficiency LED and specifical secondary lens for advertising light box and wall washer application.

■ Features:

- DC 24V for input voltage
- Excellent design flexibility for light
- 8° / 30° viewing angle
- CRI = 80 and above
- Easy for installation
- Available in Warm white, Pure white, Cold white
- With driver IC that supply is ESMT
- 50K hours life (L70@Ta = 25°C)

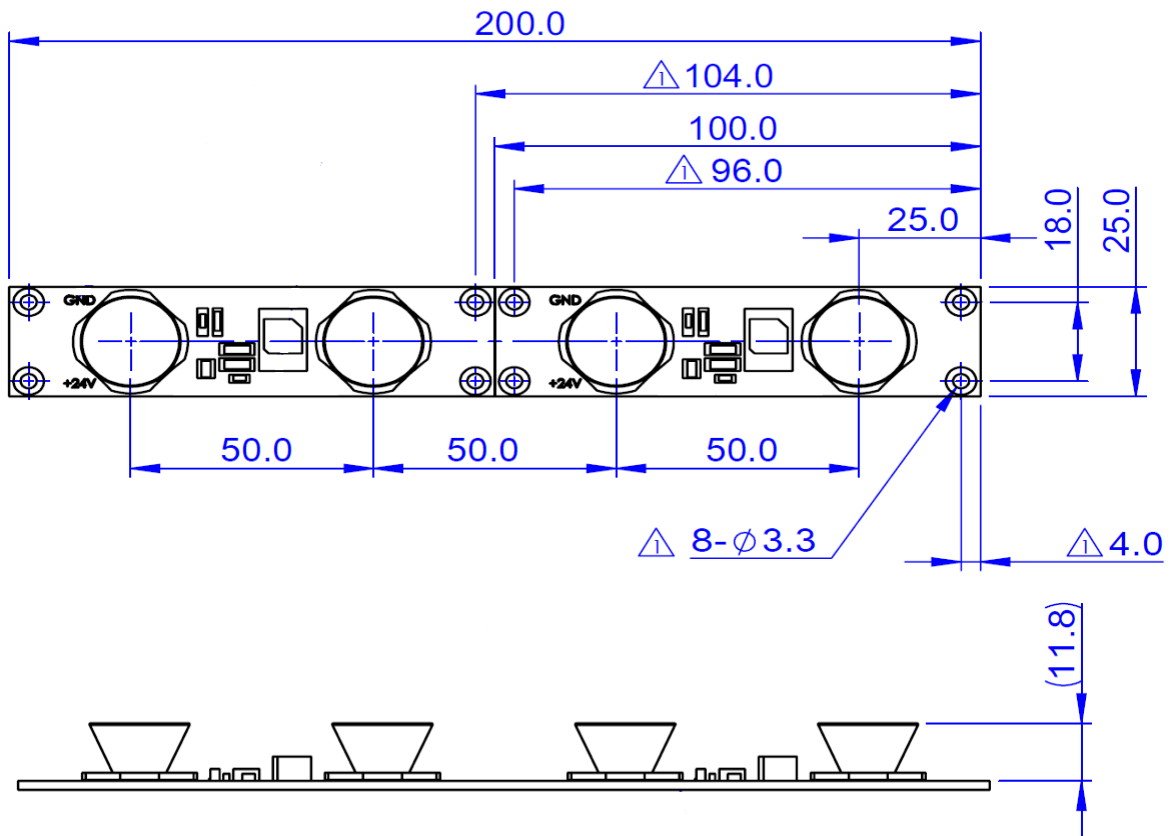
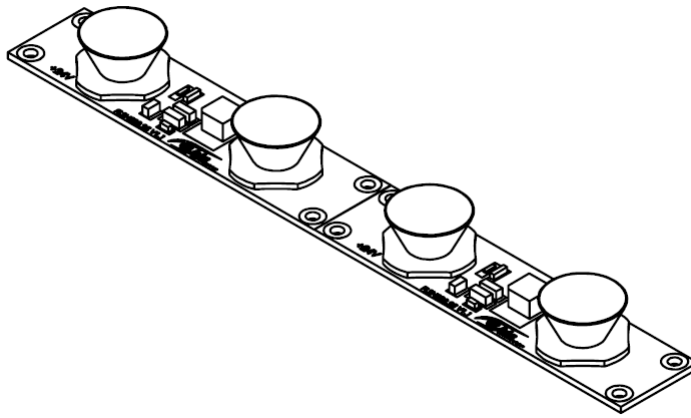
■ Application:

- General lighting
- Wash wall lighting
- Advertising light box

Compliance and Certification:



■ Mechanical Drawing:



Dimension = mm



■ Outline Dimension

Parameter	Typical	Tolerance	Unit
LED PCB Length	200	±0.5	mm
LED PCB Width	25	±0.3	
LED PCB Height	1.2	±0.15	
Total Height for the light bar with components	13.4	±0.5	

■ Electrical / Optical Characteristic

(T=25°C)

Part#	Operating Voltage	Color	Viewing Angle (°)	Luminous Flux (typ.)	Efficacy (lm/W)	Current (mA)	CCT*	CRI	Power (w)
QLML20010C2-158	DC 24V	Warm White	8/30	680	68	410	2700K / 5 SDCM	80	10
QLML20010C2-158	DC 24V	Warm White	8/30	700	70	410	3000K / 5 SDCM	80	10
QLML20010C2-158	DC 24V	Pure White	8/30	780	78	410	4000K / 5 SDCM	80	10
QLML20010C2-158	DC 24V	Neutral white	8/30	866	87	410	5000K / 5 SDCM	80	10
QLML20010C2-158	DC 24V	Cold White	8/30	866	87	410	5700K / 5 SDCM	80	10
QLML20010C2-158	DC 24V	Cold White	8/30	866	87	410	6500K / 5 SDCM	80	10
Operating Temperature: -20°C - 80°C									
Storage Temperature: -30°C ~ 65°C									

- DC Input Voltage tolerance is +/- 10%
- Total LED 6pcs for lightstrip
- Luminaire type : Class 1

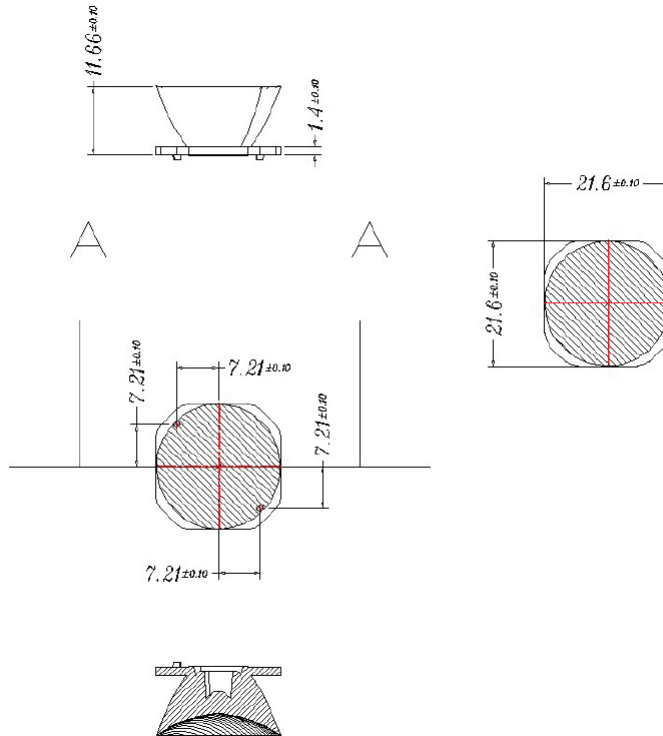


■ Specification Comparison

(T=25°C)

Items	Data
Dimension of MCPCB	200 x 25 x 1.2 mm
PCB Material	FR4
LED Type	Osram 3535 and Lextar 3535 LED
LED Power	1~3.5 W
LED max. forward current	1200 mA
Light bar input voltage	DC 24V +/- 10%
Light bar max. forward current	410mA
Circuit Design	2 series / 2 parallel (4 leds)
Color Temperature	2700K/3000K/4000K/5000K/6500K
CRI	> 80

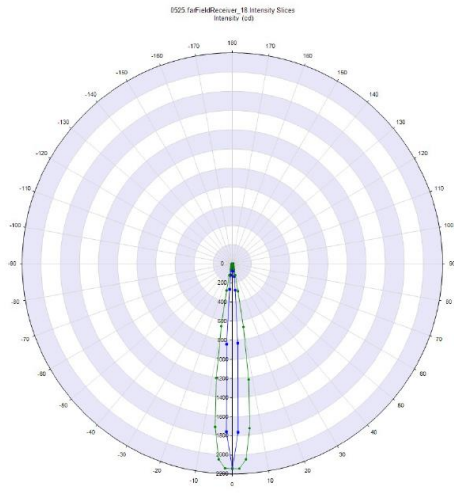
■ Secondary Lens



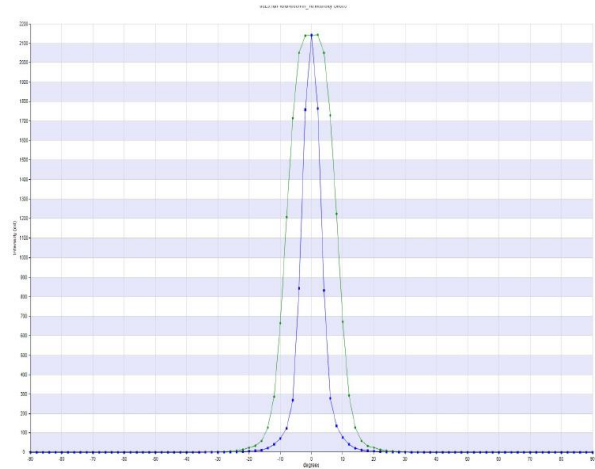
Unit: mm



● **DIMENSION**

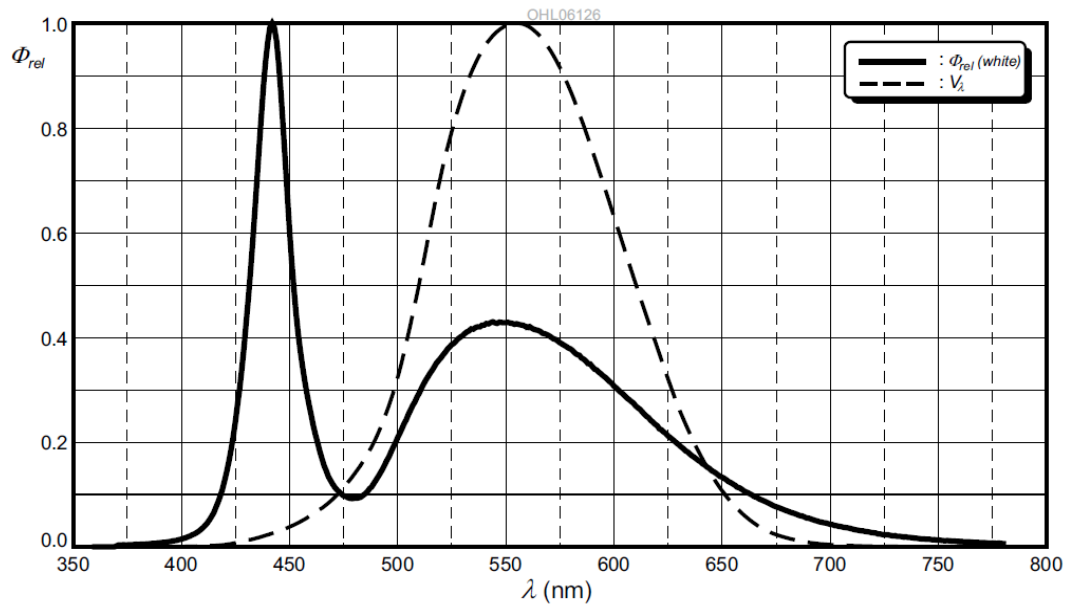


(polar coordinates)

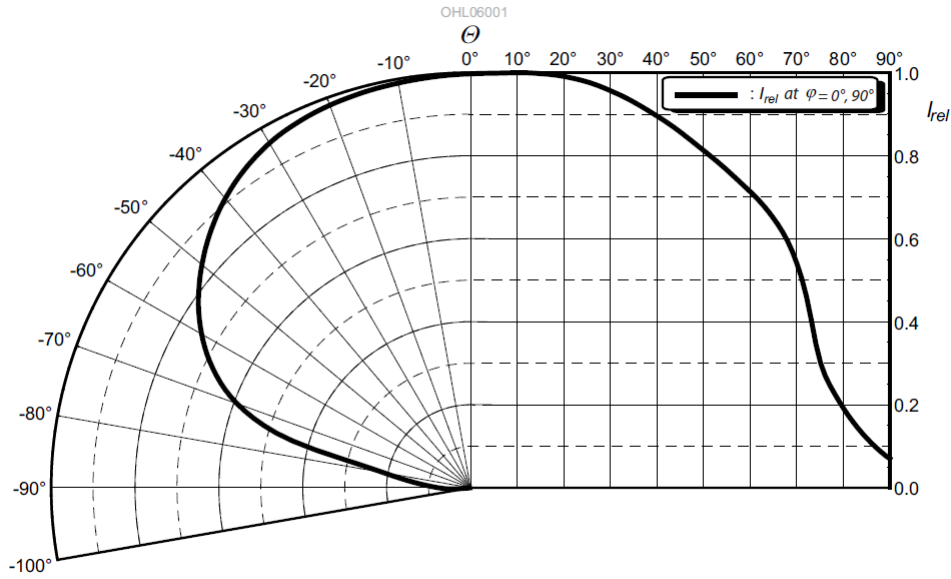


(right angle axes)

■ **LED Spectrum (25°C)**



■ LED Beam Pattern



■ Packing information:

pcs per package

Carton	KGS
Weight (N.W.)	KGS
G.W.	KGS



■ Ordering Information:

Part #	Description	Quantity per Box
QLML20010C2-158		set

■ Revision History:

Revision Date:	Changes:	Version #:
01-20-2017	Initial release	1.0
03-29-2019	Update some information	1.1

